

**DRELLOSCOP 1015:**  
for non-contact RPM measurement,  
application as tachometer and for  
visualisation of fast mechanical  
movements e.g. at packaging and  
bottle filling machines.



## DRELLOSCOP 1015 low-cost, precise, universally applicable.

### DRELLOSCOP 1015

Ergonomically designed hand-held stroboscope.

Sturdy impact-resistant plastic housing for industrial application.

Supply through attachable battery with high capacity.

Light intensive model.

Digital measuring value display, resolution 0,1 min<sup>-1</sup>

Internal and external control of flash frequency

Guarantee: 2 years (except flash tubes)

#### + Complete kit

Stroboscope with attachable battery, battery charger, spare flash tube and carrying case very reasonable cost/performance ratio, therefore quick amortisation

#### + Digital measuring value display with high resolution

Internal and external control of flash frequency with electronic image shifting

#### + Quick reading of measurement value

at RPM measurements due to additional option for alternatively dividing or multiplying by the flash frequency by two.

#### + Universal application

The compact and light design of the portable stroboscope without disturbing mains cable or separate battery permits application also on production machines which are difficult to access

#### + DRELLOSCOP 1015: small size - low weight.

Excellent light intensity to illuminate smaller parts at a distance of up to 0,75 m also at daylight.

#### + The capacity of the lightweight high-power attachable battery

allows for continuous operation for more than 2 hours.

### Universal application: RPM measurement and observation of fast motions.

Handy and lightweight: DRELLOSCOP 1015 in sturdy industrial design. Multi-purpose instrument for non-contact RPM measurement and for visualisation of fast mechanical motions in an apparent standstill.

The light intensive hand-held stroboscope with attachable battery allows universal application also under difficult conditions.

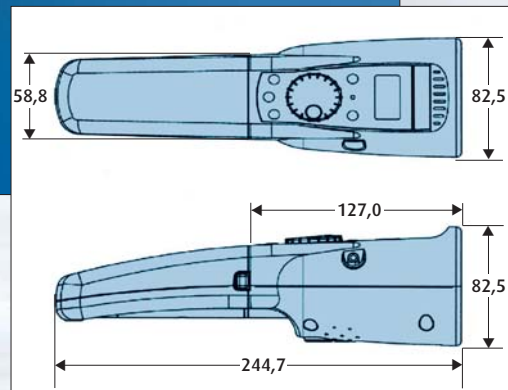
Convenient and quick adjustment of the flash frequency by comfortable rotary knob.

### The applications

- Application in industry and electro-handicraft.
- Control of mechanical motions on fast running production and packaging machines.
- RPM measurement on motors, pumps, centrifuges, blowers and ventilators.
- RPM observation on spinning and winding machines in textile industry.



**DRELLOSCOP 1015:**  
Hand-held stroboscope for RPM measurement and for visualisation of fast motions and for optimisation of production processes.



Dimensional drawings and additional technical specification data are available on request.

## For all, who need to know the details:

### The technical data

- **Control of flash frequency**  
internally adjustable by micro-controller, via rotary knob, externally by 5V TTL-signal  
low level < 0,8V  
high level > 2,8V  
pulse width > 5µs  
electronic phase shifter for image shifting of 5° per increment.  
Additional option for dividing or multiplying flash frequency by two
- **Flash frequency range**  
internal trigger 40...12.500 min<sup>-1</sup>  
external trigger 15...12.500 min<sup>-1</sup>
- **Display of measurement value**  
min<sup>-1</sup>
- **Measuring inaccuracy**  
0,01% +/- 0,5 min<sup>-1</sup>
- **Flash tube**  
Plug-in type white luminous Xenon flash tube
- **Illuminated Area**  
Approx. 75 mm diameter at a distance of 0.5 m
- **Flash brightness**  
Approx. 400 Lux, measured at a flash frequency of 3.000 min<sup>-1</sup> at 0.5 m distance
- **Power supply**  
6VDC
- **Fuse**  
Safety fuse
- **Admissible ambient temperature**  
(operation) 10°C ... +35°C
- **Admissible storage temperature**  
-10°C ... +45°C
- **Housing**  
Impact resisting plastic housing
- **Dimensions/Weight (WxHxD)**  
Stroboscope with battery complete  
245 x 83 x 83 mm / 640g  
Battery  
140 x 60 x 50 mm / 390g
- **Scope of delivery**  
Stroboscope with battery  
6V, 2.6 Ah charger,  
spare flash tube and carrying case
- **Recommended accessory**  
Spare battery