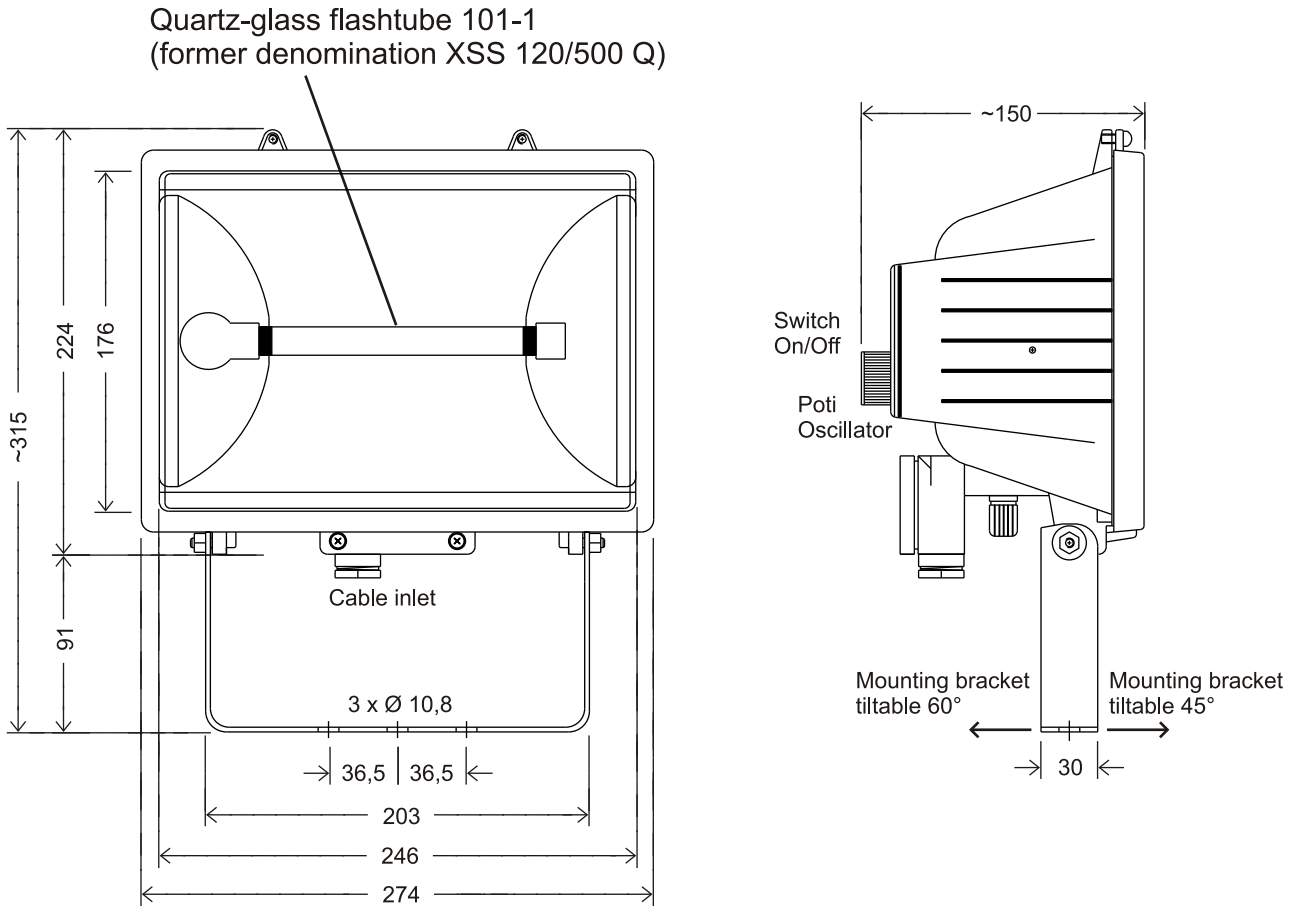


Dimensional Drawing for Lighting Equipment LE 4054/20



Light exit active area 246mm x 176mm
Housing cover with heat resistant protective glass
Lighting equipment 4054/20 with Quartz-glass flashtube101-1
Connection cable with 8 pin cable plug 17.03.018 long 6m (max. 10m)